



Spin Dryers Vegetable Dryer, 10kg with resin basket

ITEM # _____

MODEL # _____

NAME # _____

SIS # _____

AIA # _____

601979 (ELX65F5)

Vegetable Dryer, 12 Kg with resin basket - 230-400V/3/50

601987 (ELX65F25)

Vegetable Dryer, 12 Kg with resin basket - 230-240V/1/50

Short Form Specification

Item No. _____

Body and panels in stainless steel, lid in plastic material. Removable resin basket (65 litres). Flat and waterproof touch button control panel. Two cycles: "automatic" which alternates rotation with several sudden stops (for all vegetables); "manual" thanks to the adjustable timer up to 59 minutes (for delicate vegetables). Residual water is eliminated through an outlet pipe. Equipped with self-braking motor which stops the machine after the set drying time or if the lid is open during the cycle. IP55 and IP34 protection. V-ribbed belt drive. Basket rotation speed: 330 rpm. Load capacity: 10 kg, - 18 lettuce heads.

Main Features

- Spin drying automatic cycle with short drying time (1 to 2 minutes).
- "Automatic" cycle alternates rotation to several sudden stops, suitable for all vegetables.
- "Manual" cycle uses adjustable timer up to 59 minutes, to be used for delicate vegetables.
- Outlet pipe eliminates residual water.
- Timer with digital display and countdown.
- Safety device stops the machine when the cover is opened.
- Electrical braking system to stop basket rotation in a matter of seconds at the end of the cycle or when lid is opened.
- Heavy vegetables load per cycle: 10 Kg
- Light vegetables load per cycle: 18 units of lettuce heads.

Construction

- Stainless steel body and panels.
- Removable resin basket, 65 liters capacity.
- Basket rotates at approximately 330 rpm.

Included Accessories

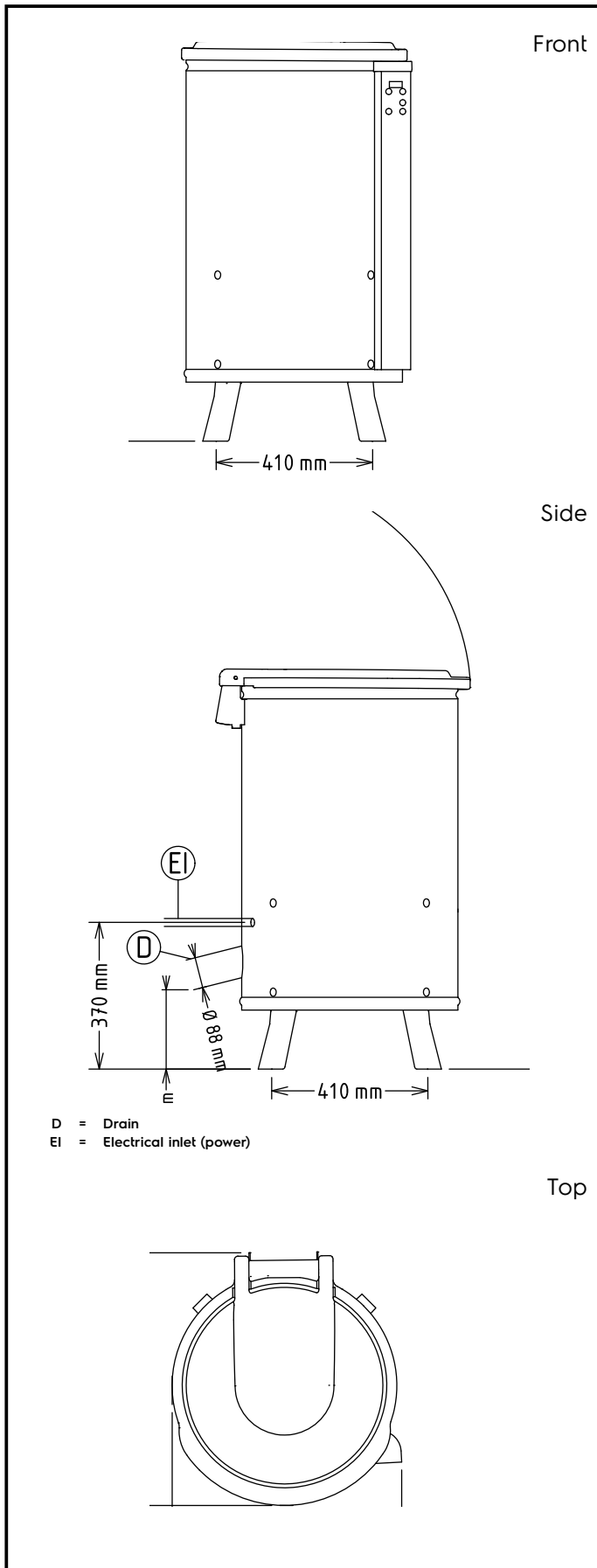
- 1 of Additional plastic basket PNC 653304 for 10 kg vegetable dryer

Optional Accessories

- Stainless steel basket with aluminium base for 10 kg vegetable dryer PNC 653303
- Additional plastic basket for 10 kg vegetable dryer PNC 653304

APPROVAL: _____





Electric

Supply voltage:

601979 (ELX65F5)

200-240/380-415 V/3 ph/50 Hz

601987 (ELX65F25)

220-240 V/1N ph/50 Hz

Electrical power max.:

0.75 kW

Total Watts:

0.75 kW

Capacity:

ISO 9001; ISO 14001 kg/
 Cycle

Performance (up to):

Key Information:

Well Capacity:

65 lt

Usable well capacity:

65 lt

Load per cycle - light
 vegetables:

18 UNITS OF LETTUCE

External dimensions, Width:

578 mm

External dimensions, Depth:

639 mm

External dimensions, Height:

1005 mm

Shipping weight:

601979 (ELX65F5)

68 kg

601987 (ELX65F25)

71 kg